

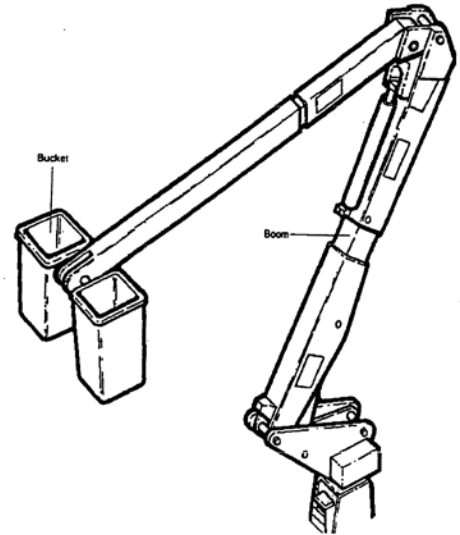
SAFE WORK PRACTICES

BUCKET (Aerial Devices)

**This information does not take precedence over OH&S. All employees should be familiar with the Saskatchewan Employment Act and the OH&S Regulations.*

Daily Inspection:

- Check all attachment welds between cylinders and booms.
 - Inspect all pivot pins for security of their locking devices.
 - Check all exposed cables, sheaves and leveling devices for wear and secure attachment.
 - Inspect boom and basket for cracks or abrasions.
 - Check for the rated load capacity posting.
 - Operate boom from ground controls through one complete cycle; check for unusual noises and uncontrolled movements.
1. Ensure that each axle is horizontal when vehicle is parked on a hill. Work with the boom pointed uphill beyond the vehicle center.
 2. Protect a roadway job site with traffic warning signs, lights and barricades. Determine if extended boom movements will interfere with traffic.
 3. Secure all tools when not in use.
 4. Maintain recommended distance from electrical wires unless you and the bucket are certified for electrical work.
 5. Face the direction of travel.
 6. Operate hydraulic controls slowly for smooth platform motion.



DON'T

- Stand on top of a bucket or use planks or ladders to gain extra height.
- Enter or leave a bucket by walking the boom.
- Exceed the rated load limit.
- Ride from one job to another in the bucket – ride a short distance over level ground only if the bucket is moved to a safe position for each move.
- Climb from bucket to another elevated position without being secured to new position.
- Work above other workers – clear the area.
- Attempt to slow any air or hydraulic leak by using your hand or body.